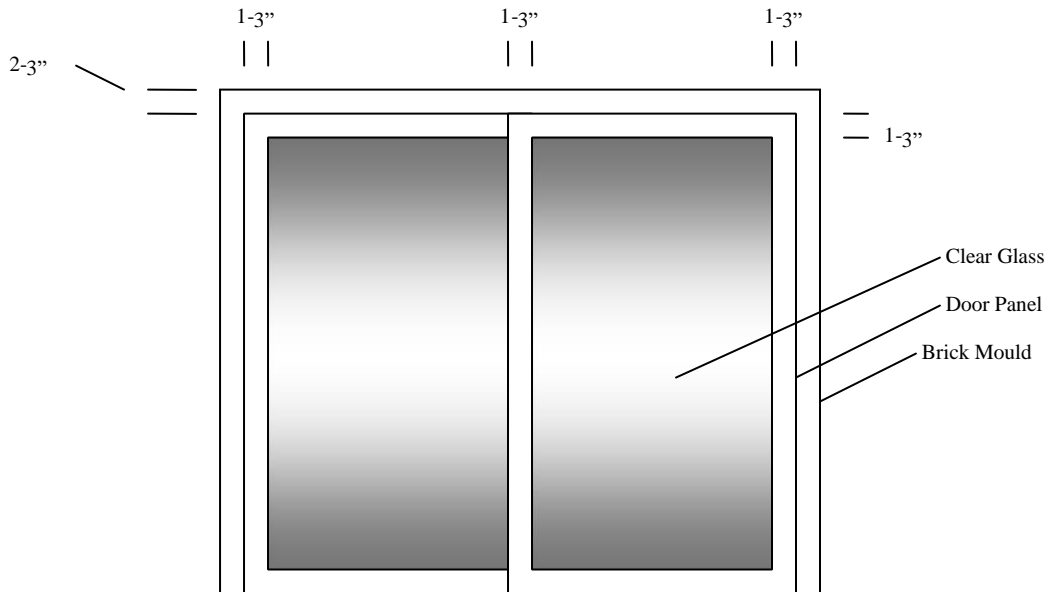


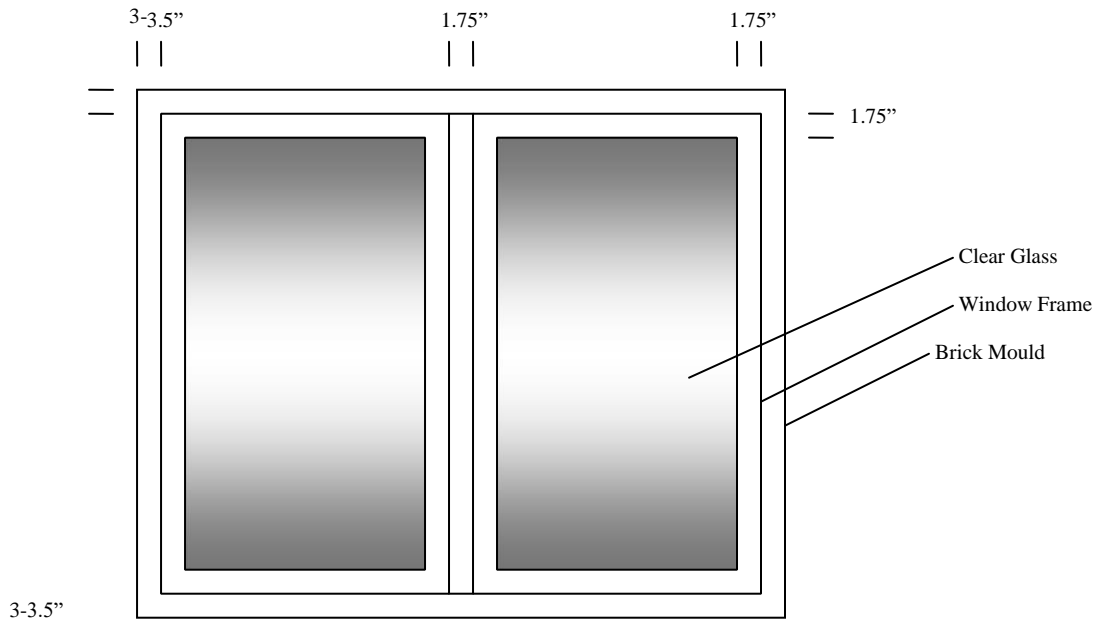
Replacement Sliding Patio Door Specifications:

1. The existing rough opening may not be modified - resizing of the rough opening is not permitted.
2. Replacement unit width must be within 1 3/4 inch of existing rough opening width.
3. Replacement unit height must be within 1/4 inch of existing rough opening height.
4. Unit must be a 2-panel sliding patio door with one operating and one stationary panel - swinging doors are not permitted.
5. Panel sizes must be identical. Example: an 8 foot wide replacement door must contain two 4 foot panels
6. Panel orientation (left or right panel sliding) must match the orientation of the unit being replaced
7. Panel rails must be equally sized between 1 and 3" in width
8. Panel stiles must be equally sized between 1 and 3" in width
9. All exterior components (frame, rails, stiles, trim/brick mould, insect screen frame) must be white.
10. Panel glass must be clear: tinted, frosted, or etched glass is not permitted.
11. No grills or lattice permitted - this includes interior removable grills.
12. The exterior trim/brick mould must be between 2 and 3 inches wide.
13. The exterior trim/brick mould must abut the existing siding - modification (extending or cutting back) of the existing siding is not permitted
14. The installation must conform to building code and the doors must be installed so as to prevent water from penetrating the exterior of the building.
15. Replacement doors must be installed by a licensed and insured contractor



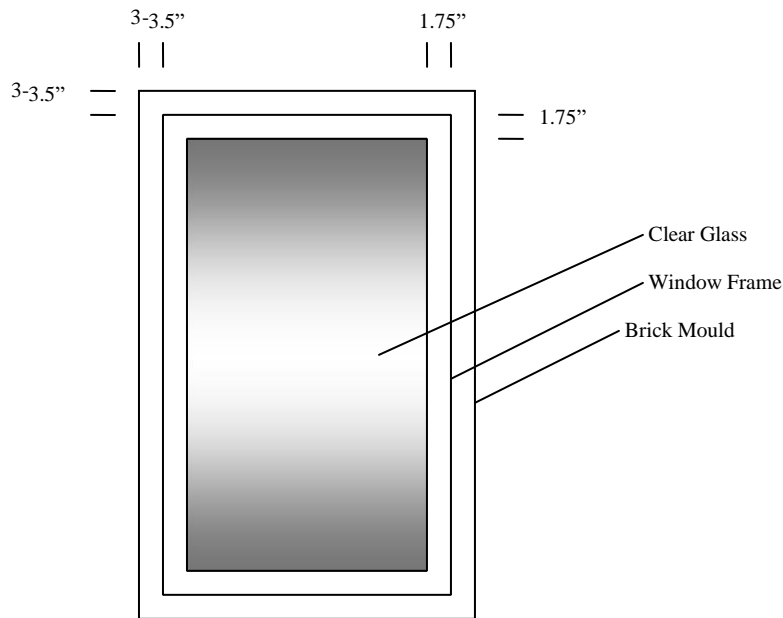
Replacement Dual Casement Window Specifications:

1. The existing rough opening may not be modified - resizing of the rough opening is not permitted.
2. Replacement unit width must be within 1 3/4 inch of existing rough opening width.
3. Replacement unit height must be within 1/4 inch of existing rough opening height.
4. Unit must be a 2-sash, vertically hinged, swing-out casement window.
5. Sash sizes must be identical and both sashes must be operational. Stationary sashes are not permitted.
6. Mullion width as viewed from the exterior must be 1 3/4" consisting of a 1 1/4" raised center with a 1/4" reveal on each side
7. Sash rails must be 1 3/4" in width
8. Sash stiles must be 1 3/4" in height
9. All exterior components (frame, rails, stiles, mullion, trim/brick mould) must be white.
10. Sash glass must be clear: tinted, frosted, or etched glass is not permitted.
11. No grills or lattice permitted - this includes interior removable grills.
12. The exterior trim/brick mould must be between 3 and 3 1/2" wide.
13. The exterior trim/brick mould must abut the existing siding - modification (extending or cutting back) of the existing siding is not permitted
14. The installation must conform to building code and the window unit must be installed so as to prevent water from penetrating the exterior of the building.
15. Replacement window units must be installed by a licensed and insured contractor



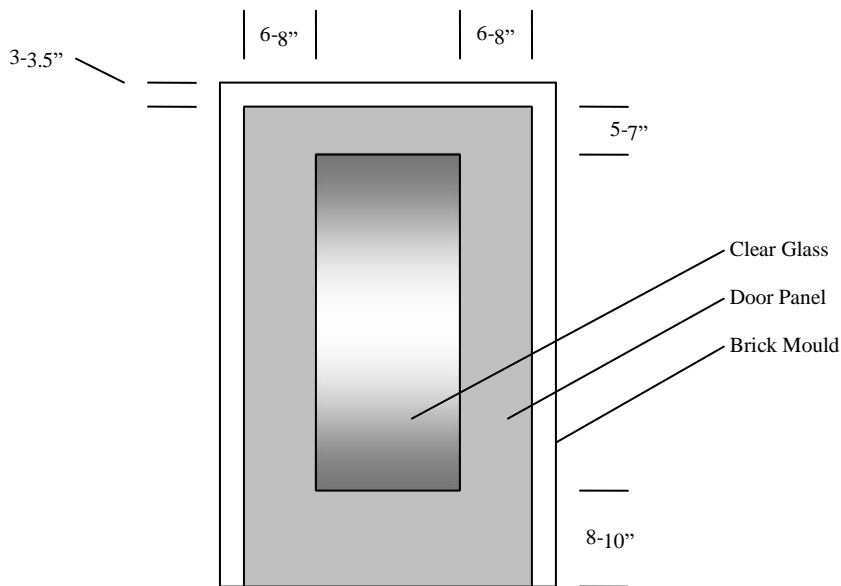
Replacement Single Casement Window Specifications:

1. The existing rough opening may not be modified - resizing of the rough opening is not permitted.
2. Replacement unit width must be within 1 3/4 inch of existing rough opening width.
3. Replacement unit height must be within 1/4 inch of existing rough opening height.
4. Unit must be a single, vertically hinged, swing-out casement window.
5. The sash must be operational and the orientation (left or right hinge) must match the unit being replaced. Stationary sashes are not permitted.
6. Sash rails must be 1 3/4" in width
7. Sash stiles must be 1 3/4" in height
8. All exterior components (frame, rails, stiles, trim/brick mould) must be white.
9. Sash glass must be clear: tinted, frosted, or etched glass is not permitted.
10. No grills or lattice permitted - this includes interior removable grills.
11. The exterior trim/brick mould must be between 3 and 3 1/2" wide.
12. The exterior trim/brick mould must abut the existing siding - modification (extending or cutting back) of the existing siding is not permitted
13. The installation must conform to building code and the window unit must be installed so as to prevent water from penetrating the exterior of the building.
14. Replacement window units must be installed by a licensed and insured contractor



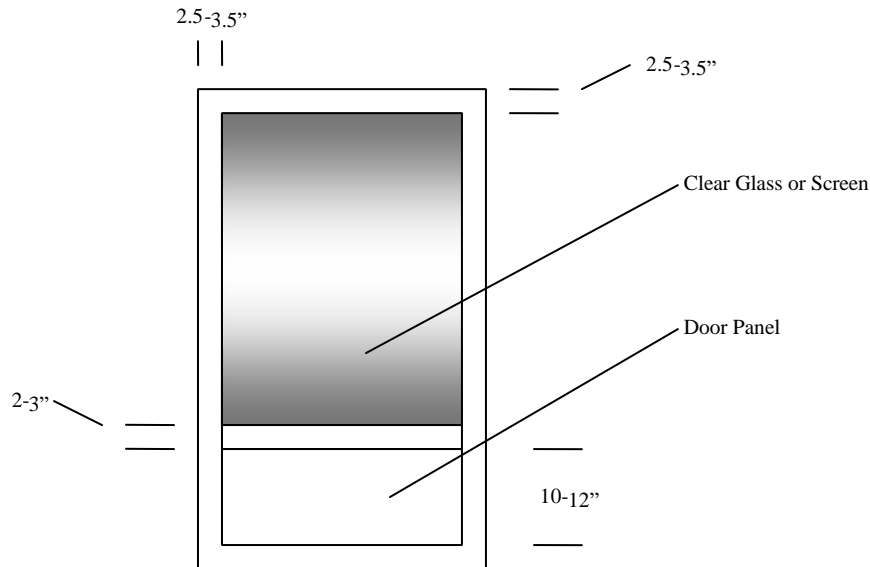
Replacement Entry Door Specifications:

1. The existing rough opening may not be modified - resizing of the rough opening is not permitted.
2. Replacement unit width must be within 1 3/4 inch of existing rough opening width.
3. Replacement unit height must be within 1/4 inch of existing rough opening height.
4. Unit must be a single, vertically hinged, swing-in door.
5. The door must be operational and the orientation (left or right hinge) must match the unit being replaced.
6. The door panel must contain a single lite.
7. Door rails must be equally sized between 6" and 8" width
8. Door bottom stile must be between 8" and 10" in height
9. Door top stile must be between 5" and 7" in height
10. All exterior components (frame, panel, trim/brick mould) must be white.
11. Panel glass must be clear: tinted, frosted, or etched glass is not permitted.
12. No grills or lattice permitted - this includes interior removable grills.
13. The exterior trim/brick mould must be between 3 and 3 1/2" wide.
14. The exterior trim/brick mould must abut the existing siding - modification (extending or cutting back) of the existing siding is not permitted
15. The installation must conform to building code and the door unit must be installed so as to prevent water from penetrating the exterior of the building.
16. Replacement door units must be installed by a licensed and insured contractor



Replacement Storm Door Specifications (2 Panel):

1. The Replacement door must be a single, vertically hinged, swing-out, 2-panel storm door.
2. The door must be operational and the orientation (left or right hinge) must match the unit being replaced.
3. The top door panel must be a single opening that can be filled with a removable glass window or a single screen window. Sliding-sash screen/glass combinations are not permitted.
4. The bottom door panel must be solid and between 10 and 12" high.
5. The mullion must be between 2" and 3" high
6. Screen windows may have up to 3 horizontal bracing members
7. Door rails must be equally sized between 2 1/2" and 3 1/2" width
8. Door stiles must be the same size in height as the rails are in width (measurement in number 5 above)
9. All exterior components (frame, rails, stiles, mullion, glass frame, screen frame) must be white.
10. Glass must be clear: tinted, frosted, or etched glass is not permitted.
11. No grills or lattice permitted - this includes interior removable grills.
12. The installation must conform to building code.



Replacement Storm Door Specifications (1 Panel):

1. The Replacement door must be a single, vertically hinged, swing-out, 1-panel storm door.
2. The door must be operational and the orientation (left or right hinge) must match the unit being replaced.
3. The mullion must be between 2" and 3" high
4. Screen windows may have up to 3 horizontal bracing members
5. Door rails must be equally sized between 2 1/2" and 3 1/2" width
6. Door stiles must be the same size in height as the rails are in width (measurement in number 5 above)
7. All exterior components (frame, rails, stiles, mullion, glass frame, screen frame) must be white.
8. Glass must be clear: tinted, frosted, or etched glass is not permitted.
9. No grills or lattice permitted - this includes interior removable grills.
10. The installation must conform to building code.

